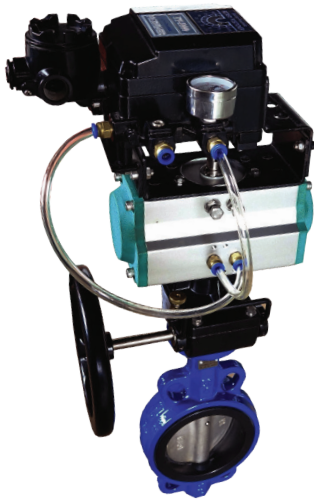
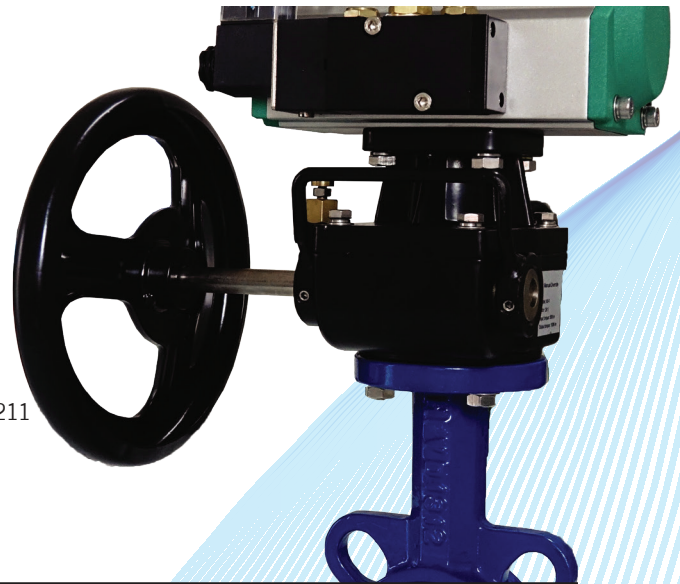




As a major part of automation control system, KH series manual override is widely used with pneumatic actuators in combination. It's mainly used for 90° rotary ON/OFF valve, such as butterfly valve, ball valve, plug valve. The manual override make it possible to manual operation when the pipeline is air failure.

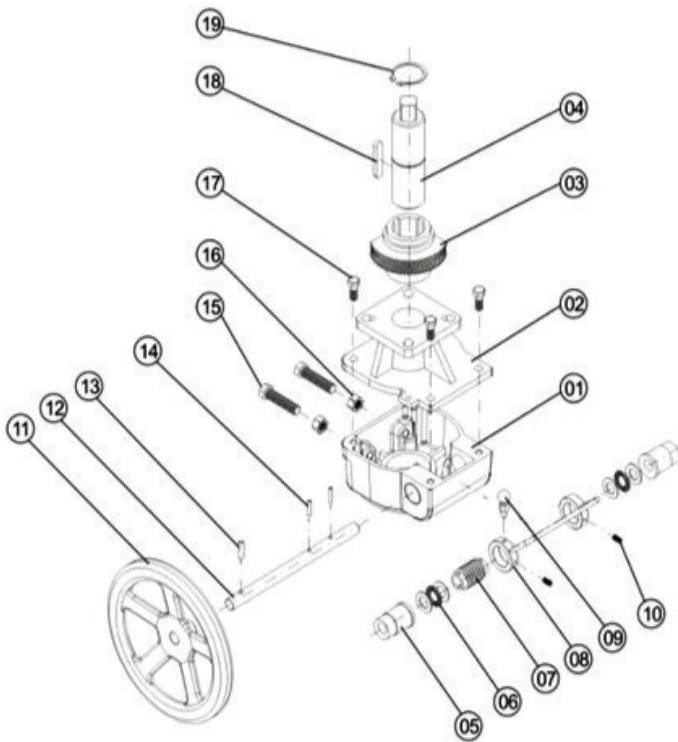


Features
 High-strength, high torque
 Weatherproof: IP65
 Mounting base standard: ISO5211



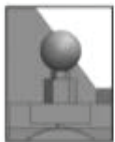
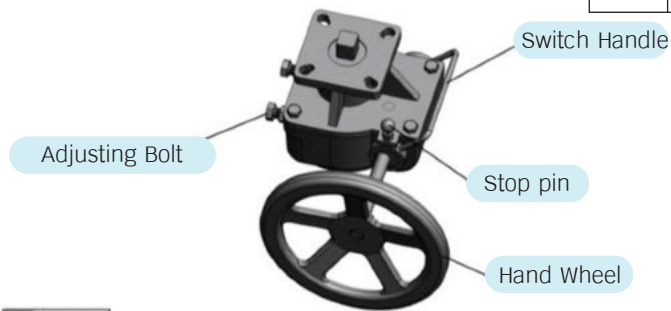
MODEL	SPEED RATIO	INPUT TORQUE	OUTPUT TORQUE	DIA OF WHEEL	WEIGHT(KG)
KH-1	26:1	50	100	Ø180	2.6
KH-2	30:1	60	215	Ø200	4.0
KH-3	38:1	90	434	Ø280	6.5
KH-4	54:1	110	1000	Ø300	13
KH-5	80:1	140	2000	Ø400	32
KH-6	78:1	200	3500	Ø500	43
KH-7	98:1	200	4200	Ø600	65
KH-8	100:1	200	6000	Ø600	95

PARTS AND MATERIALS



ITEM	QTY	NAME	MATERIAL
01	1	housing	alloy steel
02	1	bracket cap	alloy steel
03	1	worm gear	modular cast iron
04	1	connection shaft	carbon steel
05	1	eccentric bushing	carbon steel
06	1	bearings component	bearing steel
07	1	worm	carbon steel
08	1	handle	carbon steel
09	1	limit components	carbon steel
10	1	stopper screw	carbon steel
11	1	hand wheel	carbon steel
12	1	worm shaft	carbon steel chrome
13	1	straight pin (hand wheel)	carbon steel
14	1	straight pin (worm gear)	carbon steel
15	1	adjustable bolt	stainless steel
16	1	nut	stainless steel
17	1	bolt	stainless steel
18	1	straight key	carbon steel
19	1	snap ring	spring steel

OPERATION INSTRUCTION



↑ Lift up the stop pin

Manual operation: lift up stop pin, rotate switch handle lefthanded upward direction to manual operation limit position, and make sure it reaches the right place. At this time, the worm gear bites worm, you can turn the hand wheel to.



↶ Turn left to manual operation

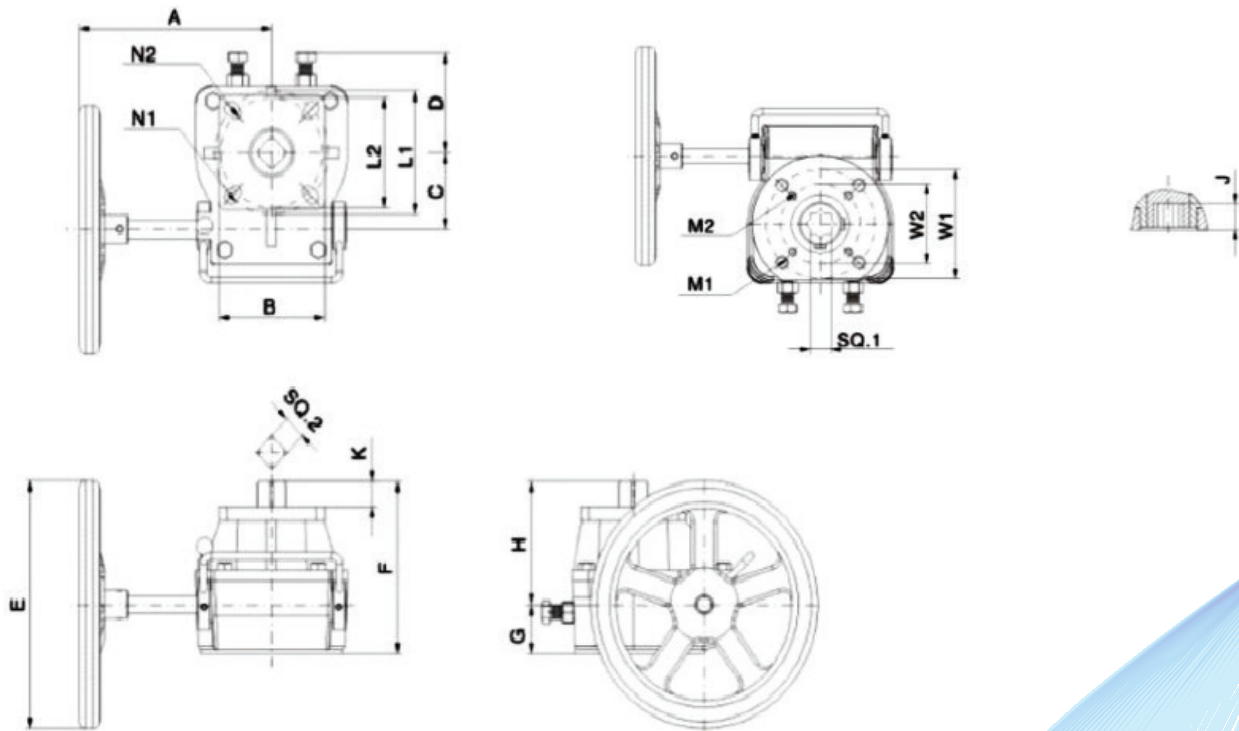
Automatic operation: lift up stop pin, route switch handle right-handed downward direction to automatic limit position, and make sure it in right place. At this time, the worm and gear worm is separated.



↷ Turn right to automation operation

Note: when you rotate switch handle up and down, there may be a jam, because the worm gear bite worm. You only need to turn wheel lightly o solve the stuck problem.

OVERALL DIMENSIONS



MODEL	KH-1	KH-2	KH-3	KH-4	KH-5	KH-6	KH-7	KH-8
A	150	170	200	260	310	395	435	440
B	70	95	115	140	155	160	235	300
C	50	55	82	85	125	140	170	210
D	43	65	90	102	110	140	160	170
E	Ø180	Ø200	Ø280	Ø300	Ø400	Ø500	Ø600	Ø600
F	120	127	150	195	209	233	243	252
G	35	40	40	60	55	60	60	65
H	85	87	110	135	154	172	183	187
J	16	19	24	29	40	50	58	58
K	15	19	22	28	39	48	55	55
M1	M8X4	M10X4	M12X4	M16X4	M20X4	M20X4	M16X8	M16X8
M2	M6X4	M8X4	M10X4	-	-	-	-	-
W1	70	102	105	140	165	165	200	254
W2	50	70	102	-	-	-	-	-
SQ.1	14	17	22	27	36	46	55	55
N1	Ø10X4	Ø12X4	Ø14X4	Ø18X4	Ø22X4	Ø22X4	Ø18X8	Ø18X8
N2	Ø8X4	Ø10X4	Ø12X4	Ø16X4	Ø18X4	-	-	-
L1	70	102	125	140	165	165	200	254
L2	50	70	102	125	140	-	-	-
SQ.2	14	17	22	27	36	45	55	55